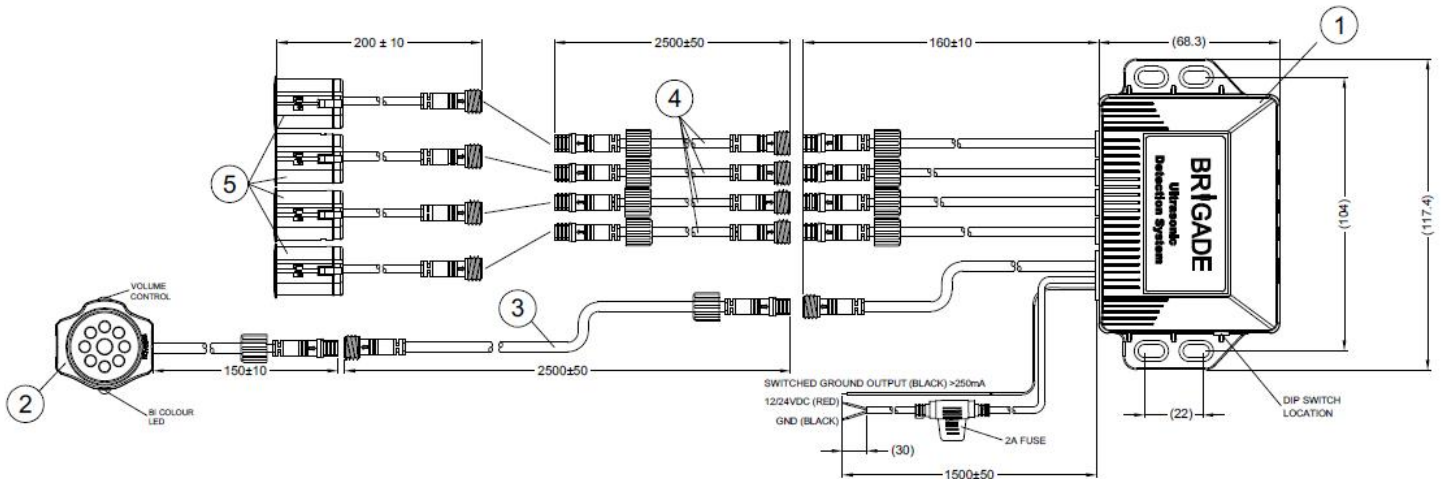


Product Specification

Brigade Model Number: **FS-4000W**
 Brigade Part Number: **3747**



Dimensions: mm

Product Specification

Technical Specifications

- Operating Voltage: 10-32Vdc
- Current Consumption: 200mA @ 12Vdc
- Power Consumption: 2.4 Watts @ 12Vdc
- Buzzer Frequency: 2400Hz ± 200Hz
- Volume: 72-90dB ± 5 @ 30cm
- Sensor Frequency: 40KHz ± 2KHz
- No. of detection zones: 3
- Zone distances: Zone 1 = 0.00-0.60m
Zone 2 = 0.60-1.00m
Zone 3 = 1.00-2.00m
- Zone tolerance: ±10cm
- Min sensor height: 400mm
- Max sensor cable length: 10m
- Detection Angle: 90°(H), 60°(V)
- Cable Specification: 24 AWG
- Casing Material: ABS+70%PC
- Colour: Black
- Output trigger: Switched Ground
250mA max

Environmental Specifications

- Vibration Rating: 5G
- Shock rating: 10G
- Connector IP Rating: IP68
- ECU IP Rating: IP69K
- Operating Temperature: -30° to +80 °C
- Storage Temperature: -40° to +85°C

Approved Standards

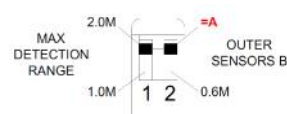
- CE
- FCC
- 'E' Mark (UNECE - Regulation 10 Revision 04)
- RoHS
- HALT

Features

- 4 Sensor system
- 1.0m or 2.0m detection range (selectable via dip switch)
- 2 sensitivity levels (selectable via dip switch)
- Buzzer with audible distance warning, LED & volume control.
- Environment Learning Mode (ELM) - Prevents false alarms from vehicle ancillary equipment intruding into the first 1m of the detection zone.
- Detection within 200ms
- Output trigger to operate ancillary items on detection.
- Configurable sensors housing (through hole or under slung)
- Common components through UDS range.

Package Contents

- 1x ECU (1)
- 1x Buzzer (2)
- 4x Sensors (5)
- 4x 2.5m sensor cables (4)
- 1x 2.5m buzzer cable (3)
- 4x 11° sensor sleeves (not shown)
- 4x 18° sensor sleeves (not shown)
- 4x 26° sensor sleeves (not shown)
- 1x Installation Guide (not shown)



Dipswitch Configuration

